

Illustration - Type - E

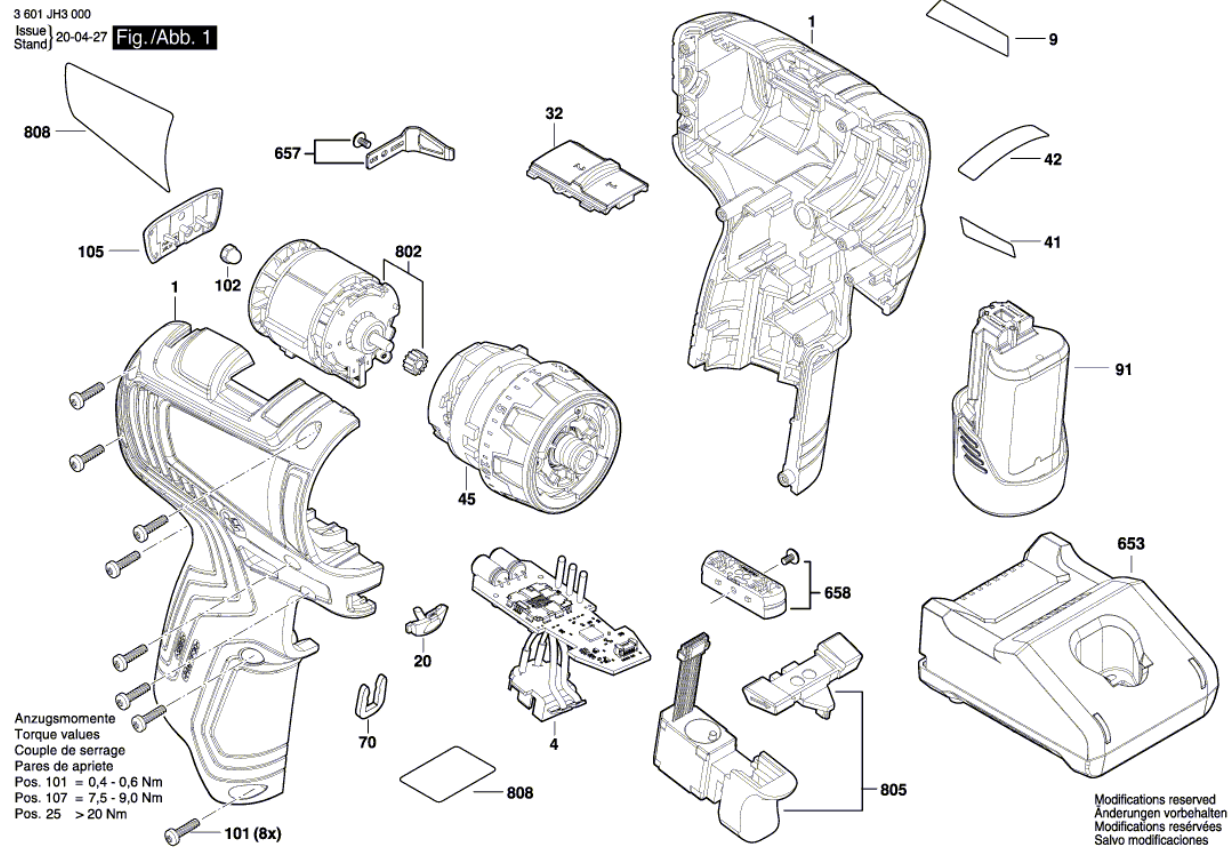
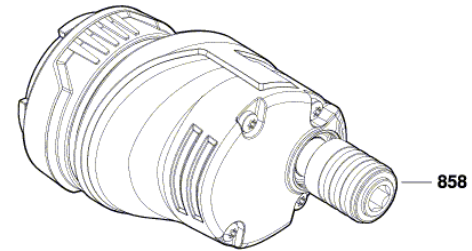
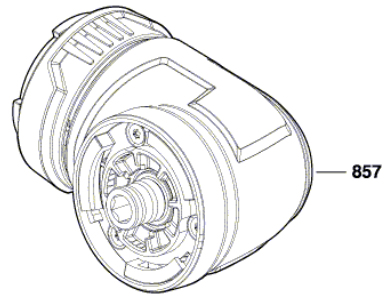
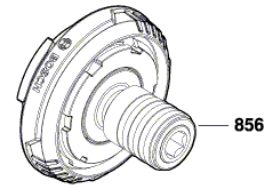
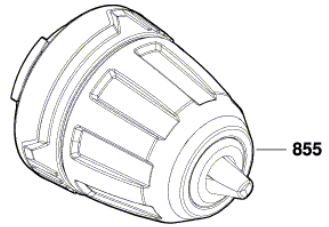


Illustration - Type - E

3 601 JH3 000
Issue | 19-02-12
Stand | **Fig./Abb. 2**



Modifications reserved
Änderungen vorbehalten
Modifications réservées
Salvo modificaciones

Spare parts list

Item	Part Number	Description	Illustration
1	1 600 A01 3ZK	Housing	1
4	1 607 233 5HJ	Electronic Module	1
9	1 601 11C 2VH	Manufacturer's nameplate	1
20	1 600 A01 6R3	Lens	1
32	1 600 A01 3HK	Switchover Unit	1
41	1 601 11C 2MP	Sticker	1
42	1 601 11C 2NE	Sticker	1
45	1 600 A01 95M	Gear Box	1
70	2 609 110 537	Clip	1
91	1 607 A35 06A	Battery Pack GBA 12V 3,0 Ah Li	1
101	2 609 110 883	Screw	1
102	1 600 A01 6R4	Cap Nut	1
105	1 600 A01 8UV	Color clip	1
653	2 607 226 219	Fast Charger EU GAL 12V-40	1
653	2 607 226 221	Fast Charger GAL 12V-40 220V-240V 10,8-12V 4A	1
657	1 600 A02 47P	Clip	1
658	1 600 A02 0HN	Bit holder	1
802	1 600 A01 M97	Brushless DC motor	1
805	1 607 000 E1T	Switch	1
808	1 600 A01 M6F	Nameplate	1
855	1 600 A00 5HR	Chuck attachment	2
856	1 600 A00 5HS	Bit holder	2
857	1 600 A00 5HP	Right-angle attachment	2
858	1 600 A00 5HN	Eccentric attachment	2